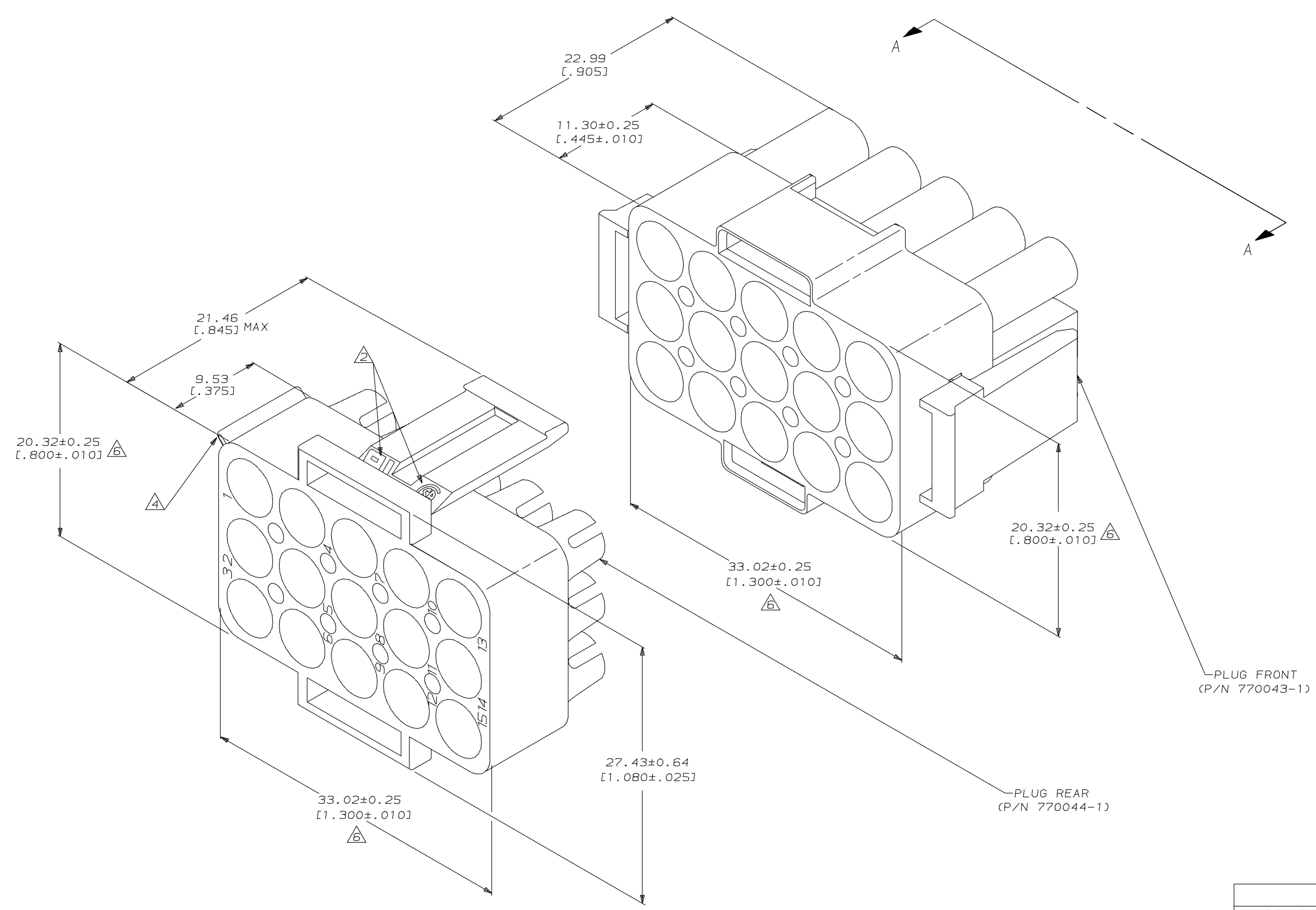
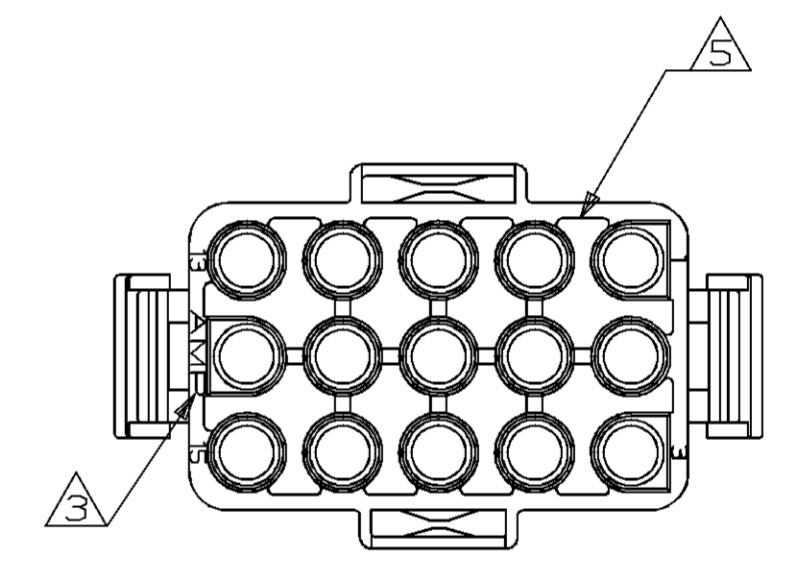


LOC		DIST		REVISIONS				
CM	53	P	F	ZONE	LTR	DESCRIPTION	DATE	APPD
						E REV PER EC OL30-0034-96	8-30-96	JH



1. BULK PACKAGED, UNASSEMBLED.
2. APPROVAL AGENCY LOGO LOCATED APPROXIMATELY AS SHOWN.
3. AMP LOGO LOCATED THIS SURFACE.
4. CIRCUIT NUMBER ONE IDENTIFICATION RIB AND CIRCUIT IDENTIFICATION NUMBERS ARE EACH LOCATED ADJACENT TO THE APPROPRIATE CIRCUIT CAVITIES.
5. NEW MOLD CONSTRUCTION PROVIDES MATERIAL REDUCTION CORING AT BASE OF SILOS WITH NO CORING AS OPTIONAL.
6. DIMENSION INDICATED IS AS MOLDED. ADDITIONAL GROWTH DUE TO SUBSEQUENT MOISTURE ABSORPTION MAY OCCUR.



VIEW A-A  
SCALE 2:1

PLUG FRONT  
(P/N 770043-1)

PLUG REAR  
(P/N 770044-1)

770023-1  
PART NUMBER

DO NOT SCALE PRINT. UNLESS SPECIFIED DIMENSIONS IN INCHES TOLERANCES ON:		DR 1-22-92 K. SALMON		AMP INCORPORATED Harrisburg, Pa. 17105	
1. DIMENSIONS ± .010		CHK 1-22-92 R. SWING		NAME	
2. PLC DEC ± 0.13 [.005]		APPD 1-22-92 M. TRULL		PLUG HOUSING KIT, 15 CIRCUIT, UNIVERSAL MATE-N-LOK™ II	
3. ANGLES ±		APPD 1-22-92 M. TRULL			
MATERIAL NYLON, UL94V-0,		PRODUCT SPEC		DRAWING NO 770023	
FINISH		APPLICATION SPEC		SCALE 5:1	
WEIGHT		F5CM NO 00779		SHEET 1 OF 1	

